

INSTRUCTIONS FOR ORDERING PARTS

All service parts should be ordered through your authorized H&S dealer. He will be able to give you faster service if you will provide him with the following.

1. Model - H&S Bi-Fold Rake
Model & Serial Number are located on the front main frame cross tubing left side of hitch.
2. Complete parts number and description, as shown in parts lists.
3. If your dealer has to order parts - give shipping instructions.

VIA truck - large pieces (please specify local truck lines)

VIA United Parcel Service (include full address)

VIA Parcel Post

H&S Mfg. Co.	
MARSHFIELD, WIS.	
MOD. NO.	<input type="text"/>
SER. NO.	<input type="text"/>

PLEASE RECORD NUMBERS FOR YOUR UNIT FOR QUICK REFERENCE

ABOUT IMPROVEMENTS

H&S MFG. CO. IS CONTINUALLY STRIVING TO IMPROVE ITS' PRODUCTS.

We must therefore, reserve the right to make improvements or changes whenever it becomes practical to do so, without incurring any obligation to make changes or additions to the equipment previously sold.

FIGURE 1

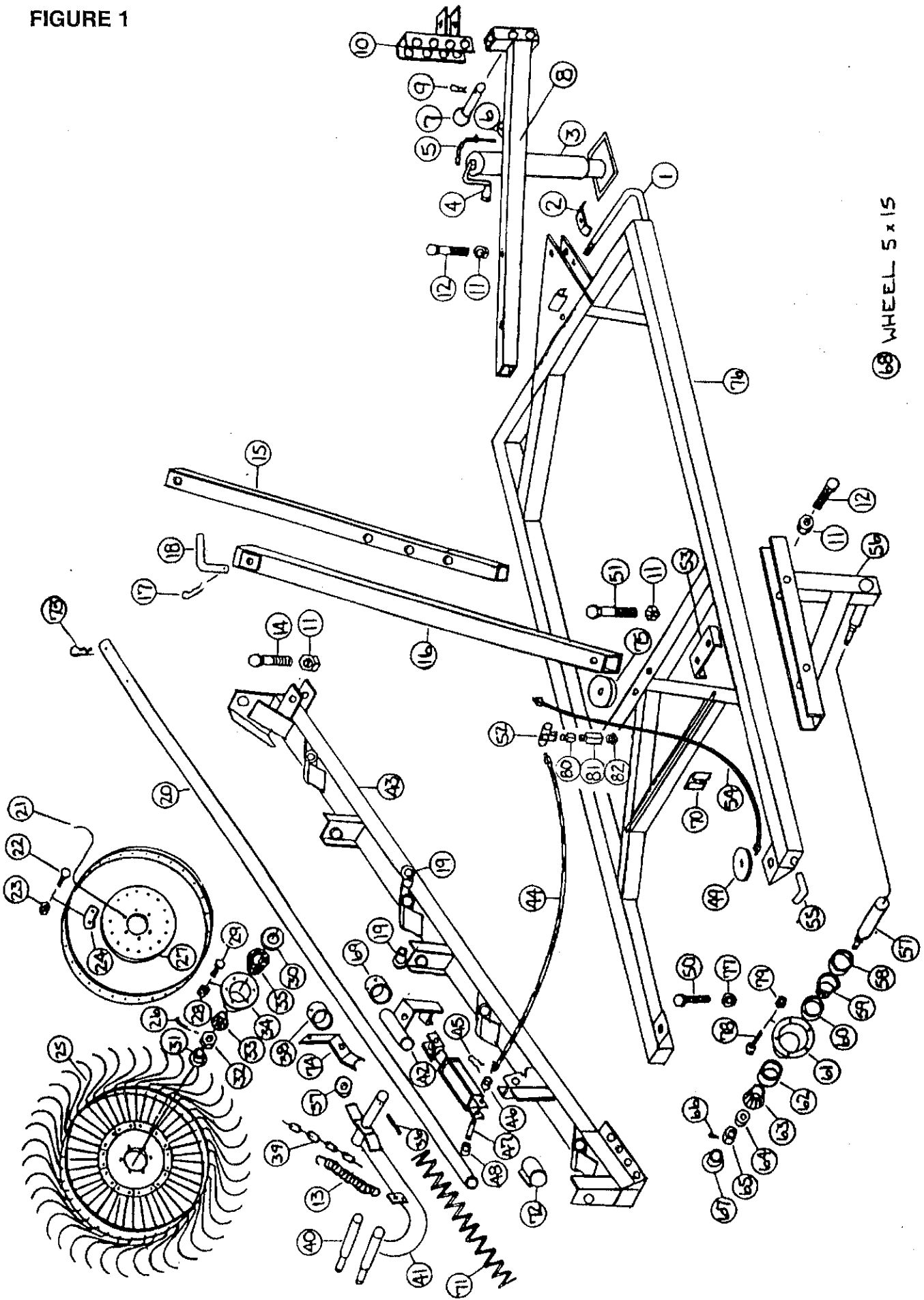
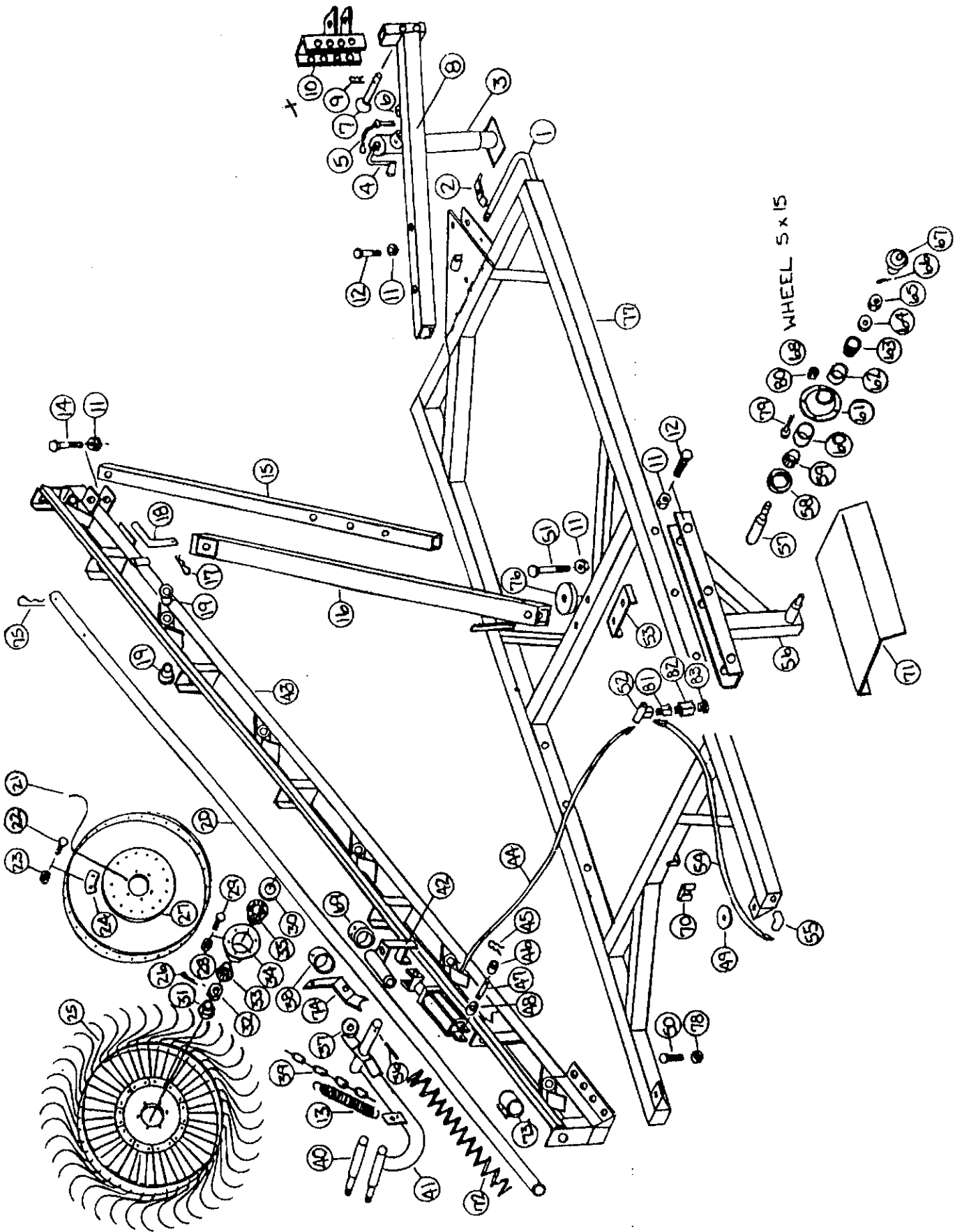


FIGURE 1
8 WHEEL BI-FOLD RAKE ASSEMBLY

NO.	PART NO.	DESCRIPTION	NO.	PART NO.	DESCRIPTION
1.	BFR86	Hyd. Pipe	49.	BFR48	Poly Washer
2.	23N67	Hose Clamp	50.	HE8	3/4" x 2-1/4" Bolt Gr. 5
3.	BFR2	Jack	51.	BFR107	3/4" x 8" Bolt Gr. 5
4.	BFR3	Jack Handle	52.	BFR74	Tee
5.	BFR4	Jack Pin & Chain	53.	BFR51	Pivot Point Plate
6.	12N14	Jack Mount	54.	BFR53	Hyd. Hose
7.	BFR5	Hitch Pin	55.	HE59	3/8" Elbow
8.	BFR6	Pole	56.	BFR148	RH Axle Assembly
9.	BFR7	Hair Pin	*	BFR149	LH Axle Assembly
10.	BFR129	Hitch	57.	BFR56	Spindle
11.	HE7	Lock Nut	58.	BFR57	Seal
12.	HE6	3/4" x 4-1/2" Bolt Gr. 5	59.	BFR58	Inner Bearing
13.	BFR138	Spring	60.	BFR59	Inner Race
14.	BFR23	3/4" x 4" Bolt Gr. 5	61.	BFR60	Hub
15.	BFR87	Inner Sleeve	62.	BFR61	Outer Race
16.	BFR88	Outer Sleeve	63.	BFR62	Outer Bearing
17.	ES7	Hair Pin	64.	BFR63	Washer
18.	BFR26	Pin	65.	BFR64	Nut
19.	BFR27	Bronze Bushing	66.	BFR65	Cotter Pin
20.	BFR145	Lifting Pipe	67.	BFR66	Hub Cap
21.	T176	Rake Wheel Tooth	68.	BFR67	Wheel 5 x 15
22.	T175	10mm x 25mm Carr. Bolt	69.	BFR83	Hyd. Lift Clamp
23.	T166	10mm Nut	70.	F97	SMV Holder
24.	T178	Rake Tooth Clip	71.	BFR84	Compression Spring
25.	T174	LH Rake Wheel or Kicker	72.	BFR34	Pipe Clamp
*	BFR31	RH Rake Wheel	73.	BFR137	Hair Pin
26.	T169	Cotter Pin	74.	BFR136	Spring Bracket
27.	T179	Rake Wheel Center	75.	BFR108	Sleeve Pivot Washer
28.	T166	10mm Nut	76.	BFR150	Main Frame
29.	T168	10mm x 25mm Bolt	77.	BFR127	3/4" Nylon Lock Nut
30.	T163	Seal	78.	BFR143	Stud Bolt
31.	T173	Hub Cap	79.	BFR144	Nut
32.	T172	Nut	80.	BFR555	Adapter
33.	T170	Outer Bearing	81.	BFR554	Flow Valve
*	T171	Outer Race	82.	JB82	Bushing 1/2" to 3/8"
34.	BFR32	Rake Wheel Hub	*	BFR154	RH Outer Sleeve
35.	T164	Inner Bearing	*	BFR75	Hub Assembly Road Wheel
*	T165	Inner Race			
36.	3G22	Roll Pin	*	BFR76	Hub Assembly Rake Wheel
37.	BFR33	Washer	*	BFR128	Tire 205 x 15
38.	BFR82	Pipe Clamp			
39.	BFR140	Chain			
40.	BFR36	Rake Wheel Spindle			
41.	BFR37A	Rake Arm LH			
*	BFR38A	Rake Arm RH			
42.	BFR39	Hyd. Lift Bracket LH			
*	BFR40	Hyd. Lift Bracket RH			
43.	BFR289	Rake Beam LH			
*	BFR290	Rake Beam RH			
44.	BFR46	Hyd. Hose			
45.	T144	Clip Pin			
46.	BFR47	Spacer			
47.	T143	Hydraulic Cylinder Pin			
48.	BFR47	Spacer			

NOTE: * Means Not Shown

FIGURE 2

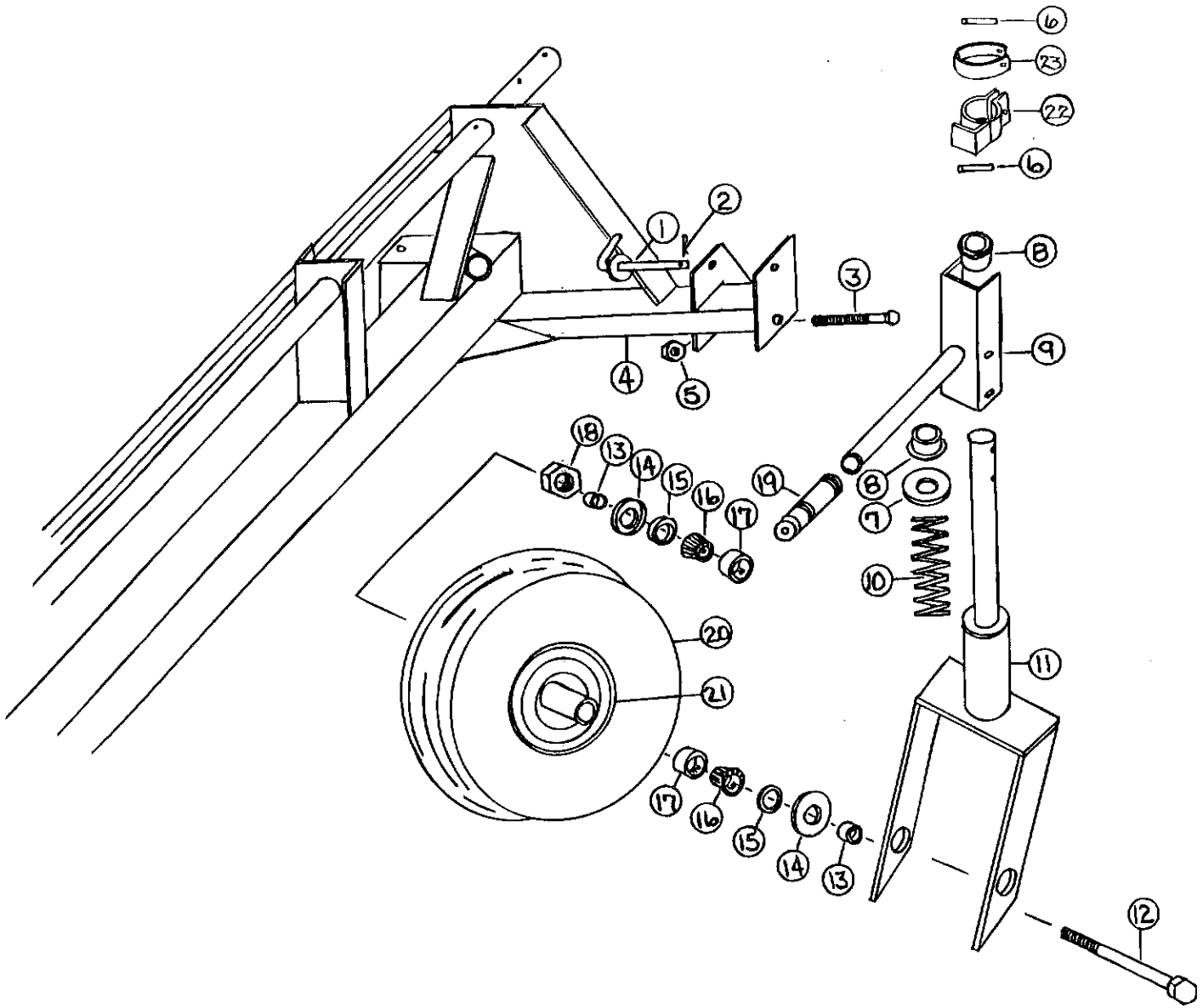


**FIGURE 2
12 WHEEL BI-FOLD RAKE ASSEMBLY**

NO.	PART NO.	DESCRIPTION	NO.	PART NO.	DESCRIPTION
1.	BFR1	Hyd. Pipe	49.	BFR48	Poly Washer
2.	23N67	Hose Clamp	50.	HE8	3/4" x 2-1/4" Bolt Gr.5
3.	BFR2	Jack	51.	BFR107	3/4" x 8" Bolt Gr. 5
4.	BFR3	Jack Handle	52.	BFR74	Tee
5.	BFR4	Jack Pin & Chain	53.	BFR51	Pivot Point Plate
6.	12N14	Jack Mount	54.	BFR53	Hyd. Hose
7.	BFR5	Hitch Pin	55.	HF59	3/8" Hose
8.	BFR6	Pole	56.	BFR141	RH Axle Assembly
9.	BFR7	Hair Pin	*	BFR142	LH Axle Assembly
x 10.	BFR129	Hitch	57.	BFR56	Spindle
11.	HE7	Lock Nut	58.	BFR57	Seal
12.	HE6	3/4" x 4-1/2" Bolt Gr. 5	59.	BFR58	Inner Bearing
13.	BFR138	Spring	60.	BFR59	Inner Race
14.	BFR23	3/4" x 4" Bolt Gr. 5	61.	BFR60	Hub
15.	BFR24	Long Inner Sleeve	62.	BFR61	Outer Race
16.	BFR25	Long Outer Sleeve	63.	BFR62	Outer Bearing
17.	ES7	Hair Pin	64.	BFR63	Washer
18.	BFR26	Pin	65.	BFR64	Nut
19.	BFR27	Bronze Bushing	66.	BFR65	Cotter Pin
20.	BFR130	Lifting Pipe	67.	BFR66	Hub Cap
21.	T176	Rake Wheel Tooth	68.	BFR67	Wheel 5 x 15
22.	T175	10mm x 25mm Carr. Bolt	69.	BFR83	Hyd. Lift Clamp
23.	T166	10mm Nut	70.	F97	SMV Holder
24.	T178	Rake Tooth Clip	71.	BFR134	Fender RH
25.	T174	LH Rake Wheel Kicker	*	BFR135	Fender LH
*	BFR31	RH Rake Wheel	72.	BFR84	Compression Spring
26.	T169	Cotter Pin	73.	BFR34	Pipe Clamp
27.	T179	Rake Wheel Center	74.	BFR136	Spring Bracket
28.	T166	10mm Nut	75.	BFR137	Hair Pin
29.	T168	10mm Nut x 25mm Bolt	76.	BFR108	Sleeve Pivot Washer
30.	T163	Seal	77.	BFR139	Main Frame
31.	T173	Hub Cap	78.	BFR127	3/4" Nylon Lock Nut
32.	T172	Nut	79.	BFR143	Stud Bolt
33.	T170	Outer Bearing	80.	BFR144	Nut
*	T171	Outer Race	81.	BFR555	Adapter
34.	BFR32	Rake Wheel Hub	82.	BFR554	Flow Valve
35.	T164	Inner Bearing	83.	JB82	Bushing 1/2" to 3/8"
*	T165	Inner Race	*	BFR75	Hub Assembly Road Wheel
36.	3G22	Roll Pin			
37.	BFR33	Washer	*	BFR76	Hub Assembly Rake Wheel
38.	BFR82	Pipe Clamp	*	BFR128	Tire 205 x 15
39.	BFR140	Chain			
40.	BFR36	Rake Wheel Spindle			
41.	BFR37A	Rake Arm LH			
*	BFR38A	Rake Arm RH			
42.	BFR39	Hyd. Lift Bracket LH			
*	BFR40	Hyd. Lift Bracket RH			
43.	BFR547	Rake Beam LH			
*	BFR548	Rake Beam RH			
44.	BFR46	Hyd. Hose			
45.	T144	Clip Pin			
46.	BFR47	Spacer			
47.	T143	Hyd. Cylinder Pin			
48.	BFR47	Spacer			

NOTE: * Means Not Shown

FIGURE 3



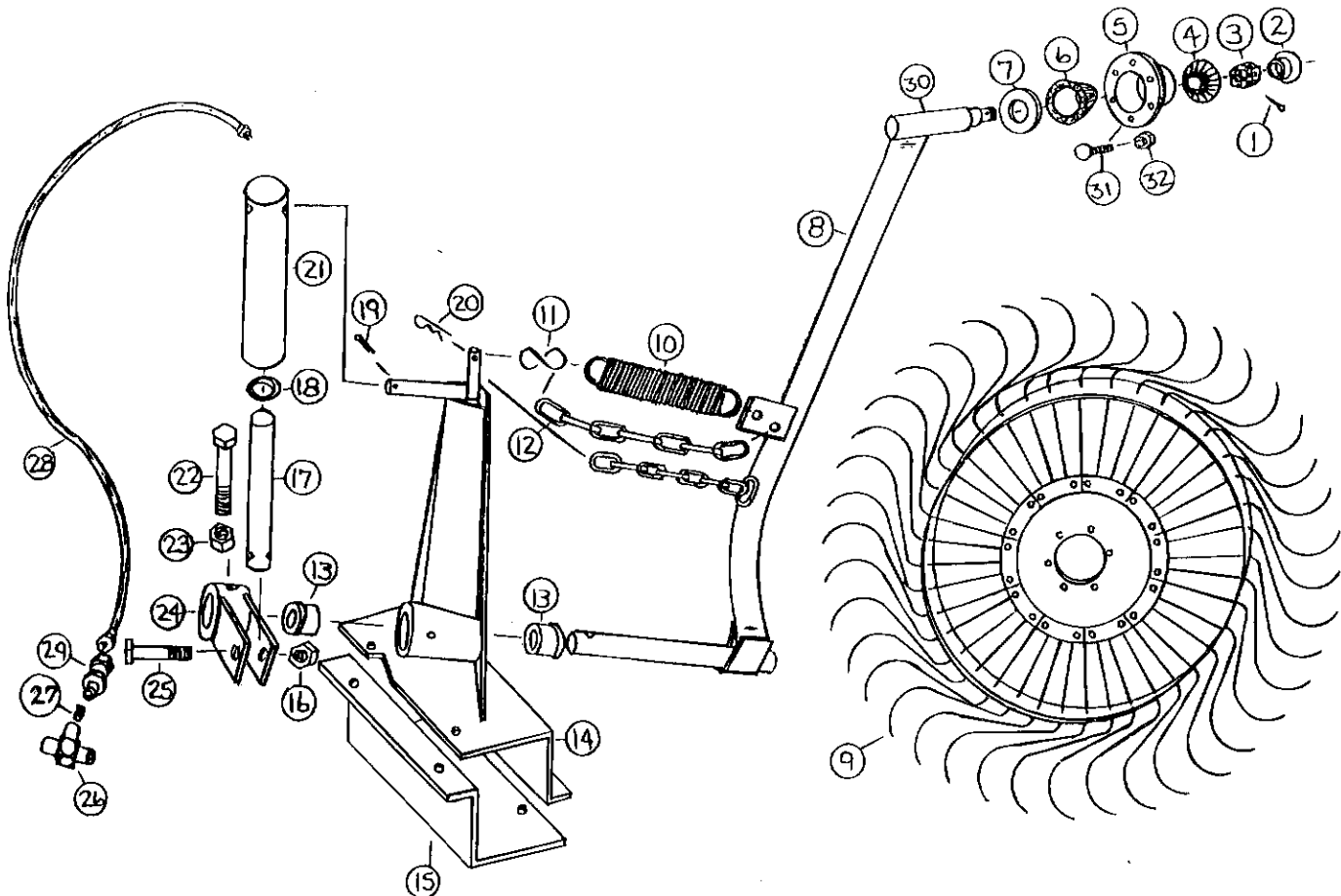
FARM-FLEET INC.
R.R. # 3, 23703 Wellburn Road
St. Marys, ON N4X 1C6
Tel: 519-461-1499 Fax: 519-461-1599
Web Site: www.farmfleet.com

FIGURE 3
BI-FOLD CASTER WHEEL

NO.	PART NO.	DESCRIPTION
1.	BFR197	Caster Locking Pin
2.	ES7	Hair Pin
3.	BFR133	Bolt 5/8 - 11 x 4" Gr. 5
4.	BFR151	RH Gauge Bracket
*	BFR152	LH Gauge Bracket
5.	T60	Lock Nut 5/8"
6.	F26	Roll Pin
7.	BFR98	Tubing End Washer
8.	T79	Bronze Bushing
9.	BFR262	Handle Bracket
10.	BFR213	Spring
11.	BFR264	Complete Fork
12.	BFR50	Bolt 3/4 - 10 x 7" Gr. 5
13.	BFR101	Wheel Bearing Spacer
14.	BFR102	Anti-wrap Cap
15.	BFR103	Seal
16.	T32	Bearing
17.	T33	Race
18.	BFR104	Lock Nut
19.	X41	Handle Grip
20.	BFR105	Tire
21.	BFR106	Wheel
22.	BFR260	Brake Assembly
23.	BFR261	Brake

NOTE: * Means Not Shown

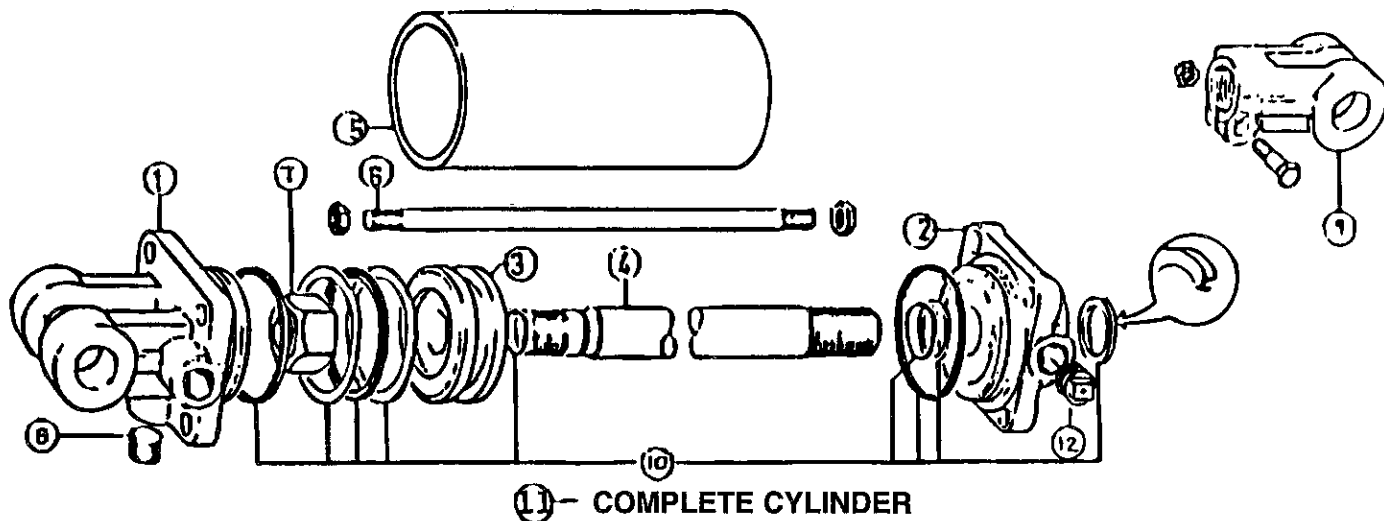
FIGURE 4
KICKER WHEEL ASSEMBLY
8 WHEEL & 12 WHEEL STANDARD



NO.	PART NO.	DESCRIPTION	NO.	PART NO.	DESCRIPTION
1.	T169	Cotter Pin	18.	BFR115	"O" Ring
2.	T175	Hub Cap	19.	T37	Cotter Pin 1"
3.	T173	Nut	20.	ES7	Hair Pin
4.	T170	Outer Bearing	21.	BFR116	Hydraulic Cylinder Tube
*	T171	Outer Race	22.	BFR117	3/8-16 x 2-1/2" Gr. 5
5.	BFR32	Rake Wheel Hub	23.	K93	Lock Nut 3/8-16
6.	T164	Inner Bearing	24.	BFR118	Cyl. Lift Bracket
*	T165	Inner Race	25.	BFR119	1/2-13 x 2-1/4" Gr. 5
7.	T163	Seal	26.	BFR74	Tee
8.	BFR109	Kicker Arm Assembly	27.	BFR120	Orifice
9.	T174	LH Rake or Kicker Wheel	28.	BFR121	Hose
10.	BFR110	Kicker Wheel Spring	29.	BFR122	Male Adapter Union
11.	BFR71	S-Hook	*	BFR617	Adapter Union W/Orifice
12.	BFR111	Chain 18 Links	30.	BFR36	Spindle
13.	T78	Bushing	31.	T168	10mm x 25mm Bolt
14.	BFR112	Lift Tower	32.	T166	10mm Nut
15.	BFR113	Bottom Bracket			
16.	9S17	Lock Nut 1/2 x 13			
17.	BFR114	Piston			

NOTE: * Means Not Shown

**FIGURE 5
BI-FOLD RAKE HYDRAULIC CYLINDER**



NO.	PART NO.	DESCRIPTION
1.	23N142	Clevis Cap
2.	23N143	Rod Cap
3.	23N144	Piston
4.	T184	Rod
5.	BFR68	Cylinder Tube
6.	T186	Tie Rod.
7.	23N148	Piston Nut
8.	23N149	Plug
9.	23N150	Rod Clevis
10.	23N151	Seal Kit
11.	BFR69	Complete Cylinder
12.	BFR70	Vent Plug

-NOTES -